

Economizer Damper Actuators

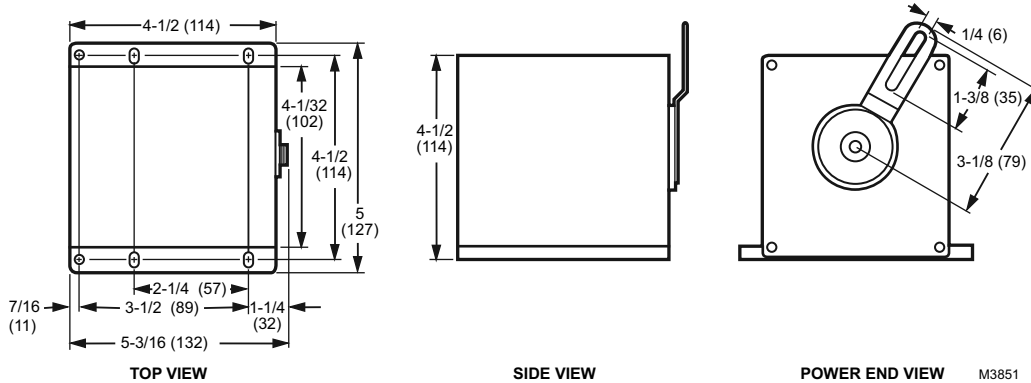
M6415; M7215; M7415; M8405; M8415 Economizer Damper Actuators



25 lb-in. spring return damper actuators provide two-position, three-position, floating, or modulating control of economizer systems, ventilation dampers and combustion air dampers used in residential or commercial HVAC equipment.

- Synchronous Motor. Quiet, high efficiency drive motor.
- Spring returns motor shaft to normal position on power interruption.
- High impact, glass-fiber reinforced plastic case is rugged, lightweight and corrosion resistant.
- Uses Q298B Linkage.

Dimensions in inches (millimeters)



Fail Safe Mode: Spring Return
Torque Rating: 25 lb-in. (2.8 Nm)
Torque Rating, Breakaway: 40 lb-in. (4.5 Nm)
External Auxiliary Switches Available: Yes
Fixed Stroke: Yes
Motor Shafts: 1
Feedback: No
Electrical Connections: Quick-connect terminals
Frequency: 50 Hz; 60 Hz
Mounting: Foot-mounted
Vibration: V2 level
Angle of Rotation (Stroke Max (deg)): 90
Nominal Spring Return (seconds): 18 sec

Nominal Timing Opening (seconds): 90 sec
Maximum Run Time (seconds): 90 sec
Minimum Timing (seconds): 90 sec
Deadweight Load on Shaft (Power End): 15 lbs max
Operating Temperature Range: -25 F to +125 F (-32 C to +52 C)
Shipping Temperature Range: -30 F to +150 F (-34 C to +66 C)
Operating Humidity Range (% RH): 5 to 95% RH, non-condensing
Materials (Housing): UL94-5V plastic housing
Weight: 3 lb

Approvals:
Underwriters Laboratories Inc. Listed File: E4436, Guide: XAPX

Product Number	Control Signal	Power Consumption		Rotation to Open	Description	Comments	Used With
		(Driving)	(Holding)				
M6415A1016	Floating, SPDT	8 VA	3 VA	CCW	Spring return-foot mounted, Spdt floating, 24 Vac	—	Floating Controllers
M6415B1014	Floating, SPDT	8 VA	3 VA	CW	Spring return-foot mounted, Spdt floating, 24 Vac	—	Floating Controllers
M7215A1008	2 to 10 Vdc	8 VA	3 VA	CCW	Spring return-foot mounted, Modulating, 24 Vac	—	W7212/13/14 Economizers; W7215 Economizers
M7215A1016	2 to 10 Vdc	8 VA	3 VA	CCW	Spring return-foot mounted, 24 Vac with captive mounted nuts.	With captive mounting nuts	W7212/13/14 Economizers
M7415A1006	Thermistor, Modulating	8 VA	5 VA	CCW	Spring return-foot mounted, Modulating, 24 Vac	—	W7459 Economizers; W7460 Economizers
M7415B1004	Thermistor, Modulating	8 VA	5 VA	CW	Spring return-foot mounted, Modulating, 24 Vac	—	W7459 Economizers; W7460 Economizers
M8405A1006	Three position	8 VA	3 VA	CCW	Spring return-foot mounted, 3 position w/field adj. min. pos., 24 Vac	—	—
M8415A1004	Two position, SPST	8 VA	3 VA	CCW	Spring return-foot mounted, 2 position, 2 wire w/field adj. min. pos., 24 Vac	—	—

* TRADELINE models • SUPER TRADELINE models