

Types 1127/1128 Differential Pressure Gauge

Differential pressure gauges are often used when filters are required in the process. Differential pressure is measured upstream and downstream of the filter. When the process is corrosive to gauges with bronze/brass wetted parts, the only alternative was to isolate the gauge from the process with capillary and isolators or diaphragm seals. Now, when the process is compatible with 316 stainless steel or Monel, Dresser Instrument offers the new Ashcroft® Types 1127 or 1128 differential pressure gauges with 4½" or 6" dial sizes.

Features Include:

- 316 stainless steel or Monel wetted parts
- 4½" or 6" dial sizes
- Ranges from 10 psi-1000 psi
- Static pressures from 45 psi-1200 psi depending on the range of the gauge
- Pointer indication with zero at the 7:00 or 12:00 position
- Built-in back case flange for easy wall mounting



Type 1127



Type 1128

ISO 9001
REGISTERED FIRM

SPECIFICATIONS

(CODE)

Accuracy:

ASME B40.1 Grade B (2/1/2%)

Case Style:

Open front with rear blow-out plug.

Case Material:

Aluminum with black enamel finish

Dial Size:

4½" or 6" diameter (45) (60)

Dial Material & Color:

White with black markings

Pointer:

Adjustable (Aluminum)

Ring Type:

Bayonet, black painted aluminum

Bourdon Tube and Socket Material:

316 stainless steel (S) or Monel (P) (S) (P)

Connection, lower or back:

¼ NPT (02) or ½ NPT (04) (02) (04)

Ranges Limits:

0/10 to 0/1000 psi

Static Pressure Limits:

45 to 1200 psi (range dependent)

Mounting: Stem or surface

Movement: Bronze, bushed

Window: Glass

Warranty: One year

Options:

Acrylic window: (PD)

Shatterproof glass: (SG)

SS tag wired to case: (NH)

SS tag bonded to case: (NN)

Paper tag bonded to case back: (MN)

STANDARD RANGES TYPES 1127 & 1128

1127 – (210° dial arc)			
Pressure Range psi	Figure Interval	Minor Graduation	Static Pressure Limits* (psi)
0/10	5	0.2	45
0/20	5	0.2	45
0/30	5	0.5	45
0/60	10	1	90
0/100	10	1	130
0/160	20	2	208
0/200	20	2	260
0/300	50	5	390
0/400	50	5	520
0/600	100	10	780
0/800	100	10	1040
0/1000	100	10	1300

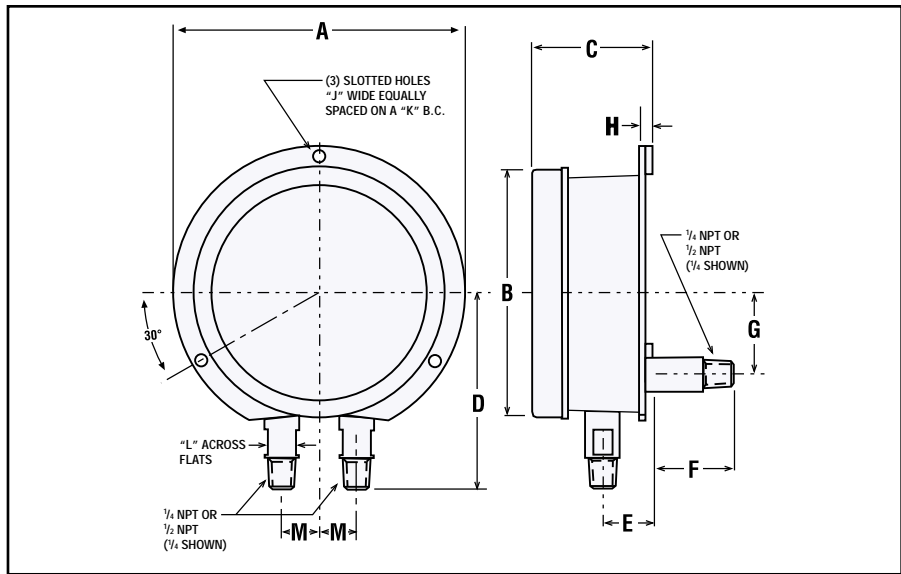
1128 – (210° dial arc) Zero centered dial			
Pressure Range psi	Figure Interval	Minor Graduation	Static Pressure Limits* (psi)
10/0/10	2	0.5	45
15/0/15	3	0.2	45
30/0/30	5	1	90
50/0/50	10	1	130
100/0/100	20	2	260
200/0/200	50	5	520
300/0/300	100	10	780
400/0/400	100	10	1040

*Maximum pressure that can be admitted into Bourdon tubes.

METRIC RANGES TYPES 1127 & 1128

1127 – (210° dial arc)			
Pressure Range		Figure Interval	Minor Graduation
kg/cm²	bar		
0/1	1/1	0.2	0.02
0/2	2/2	0.5	0.05
0/4	4/4	0.5	0.05
0/7	7/7	0.5	0.05
0/11	11/11	2	0.2
0/14	14/14	2	0.2
0/21	21/21	5	0.5
0/28	28/28	5	0.5
0/42	42/42	5	0.5
0/56	56/56	10	1.0
0/70	70/70	10	1.0

1128 – (210° dial arc) Zero centered dial			
Pressure Range		Figure Interval	Minor Graduation
kg/cm²	bar		
0.5/0/0.5	0.5/0/0.5	0.2	0.02
1/0/1	1/0/1	0.5	0.05
2/0/2	2/0/2	0.1	0.01
3.5/0/3.5	3.5/0/3.5	0.5	0.1
5.5/0/5.5	5.5/0/5.5	2	0.2
7/0/7	7/0/7	2	0.2
10.5/0/10.5	10.5/0/10.5	5	0.5
14/0/14	14/0/14	5	0.5
21/0/21	20/0/20	5	0.5
28/0/28	28/0/28	10	1.0
35/0/35	35/0/35	10	1.0



Size Inches	A	B	C	D		E	F	G	H	J	K	L		M
				¼ NPT	½ NPT							¼ NPT	½ NPT	
4 ½	5 7/8	4 31/32	2 7/16	3 15/16	4 1/16	1	1 5/8	1 5/8	5/16	7/32	2 11/16	9/16	1 1/16	3/4
	(149)	(126)	(62)	(100)	(103)	(25)	(41)	(41)	(8)	(6)	(68)	(14)	(17)	(19)
6	7 5/8	6 7/16	2 1/2	4 15/16	4 15/16	1 1/16	1 13/16	1 5/8	5/16	9/32	3 9/16	9/16	1 1/16	3/4
	(194)	(164)	(64)	(125)	(125)	(27)	(46)	(41)	(8)	(7)	(90)	(14)	(17)	(19)

() are millimeters

TO ORDER THIS 1127, 1128 DIFFERENTIAL PRESSURE GAUGE:

Select: 45 1127SD 02L XXX 100 psi

- Dial size—4½" _____
- Case type—1127SD _____
- Connection size—¼ (02), ½ (04) _____
- Connection location—Lower (L) _____
- Optional features _____
- Standard pressure range—100 psi _____



A Halliburton Company

250 EAST MAIN STREET
STRATFORD, CT 06614-5145
Tel: 203-378-8281
Fax: 203-385-0408
www.dresser.com/instruments