

Commercial Round Dampers

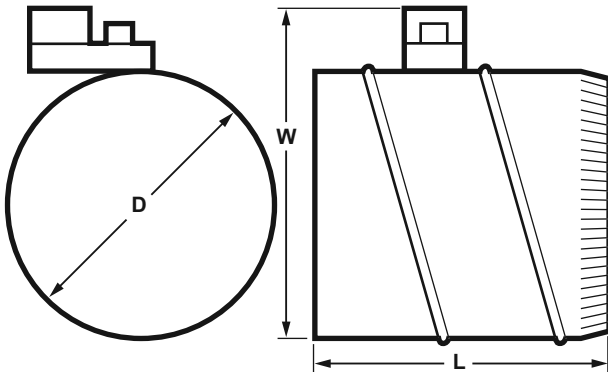
D690 Low-Leakage, Single-Blade, Round Dampers



The D690 Round Damper is used in conventional air handling systems to control airflow in a round duct. The damper is designed for use with Honeywell ML6161 and ML7161 Direct Coupled Actuators.

- Neoprene seal for tight closing and low leakage
- Oilite bearings for long life
- 90 degree damper travel for a variety of applications

Dimensions in inches (millimeters)



Application: heating, cooling, ventilating

Type of Blade: Single-blade, round

Temperature Range: 32 F to 130 F (0 C to 54 C)

Integral Actuator: None

Input Signal: none

Used With: ML6161; ML7161; W7751 VAV Controller

DAMPER DIAMETER (D)		WIDTH (W)		LENGTH (L)	
in.	mm	in.	mm	in.	mm
6	152	9-1/2	241	12	305
8	203	11-1/2	292	12	305
10	254	13-1/2	343	12	305
12	305	15-1/2	394	13	330
14	356	17-1/2	445	15	381
16	406	19-1/2	495	17	432

M17412

Product Number	Dimensions, Approximate		Maximum Approach Velocity (ft/ min)	Description
	(inch)	(mm)		
* D690A1002	6 in. diameter	152 mm diameter	2500 ft/min	6 inch, Single Blade Round Damper, for use with ML6161 and ML7161 actuators or W7751 VAV Controller
* D690A1010	8 in. diameter	203 mm diameter	2500 ft/min	8 inch, Single Blade Round Damper, for use with ML6161 and ML7161 actuators or W7751 VAV Controller
* D690A1028	10 in. diameter	254 mm diameter	2500 ft/min	10 inch, Single Blade Round Damper, for use with ML6161 and ML7161 actuators or W7751 VAV Controller
* D690A1036	12 in. diameter	305 mm diameter	2500 ft/min	12 inch, Single Blade Round Damper, for use with ML6161 and ML7161 actuators or W7751 VAV Controller
* D690A1044	14 in. diameter	356 mm diameter	2500 ft/min	14 inch, Single Blade Round Damper, for use with ML6161 and ML7161 actuators or W7751 VAV Controller
* D690A1051	16 in. diameter	406 mm diameter	2500 ft/min	16 inch, Single Blade Round Damper, for use with ML6161 and ML7161 actuators or W7751 VAV Controller

* TRADELINE models • SUPER TRADELINE models